

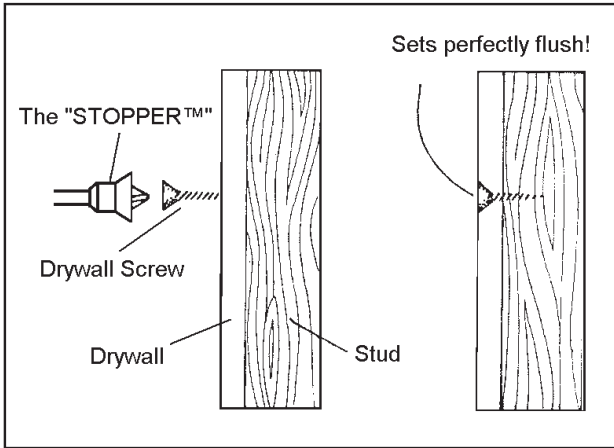
MAIN OFFICE
INTERNATIONAL TOOL MANUFACTURING
71-08 51ST. AVENUE, WOODSIDE, NY 11377
(718) 446-0711 • (800) 247-5696 • FAX (718) 899-6553



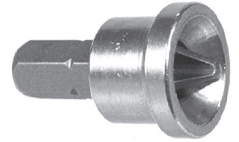
INTERNATIONAL TOOL MANUFACTURING
675-E-PROGRESS CENTER AVE., LAWRENCEVILLE, GA 30043
(770) 962-5454 • (800) 229-1776 • FAX (770) 962-5869



THE STOPPER™



PART # **PRICE**
SP-025-2P **\$1.42**
 #2 X 1" Phillips® With 9/16" Collar



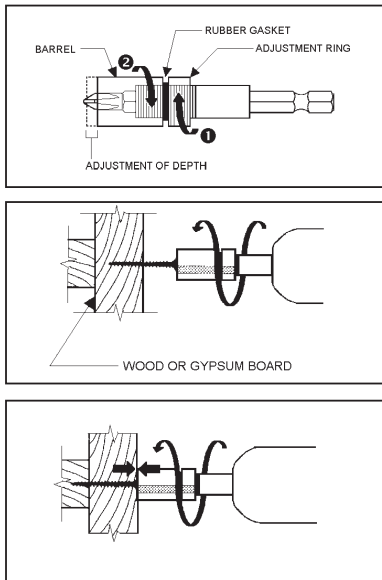
Star #40
TX-025-40P
\$2.51 / Ea.

For Flat Bed Screws
 Need another style bit
 inside The Stopper?
 Ask us how we can
 help.

- Stops damage to drywall.
- Sets drywall screws perfectly flush.
- Works perfectly every time.
- Use in any bit holder.
- Use any drill machine Rotation Only.
- 9/16" Collar Diameter.

250PC. STOPPER™ Jar Available on Page 103.

PATENT # 5101698



THE POWER STOPPER™

- Prevents overdriving screws into material.
- Reduces tip wear.
- Magnetic set inside Stopper for holding screws.
- Set & lock for adjustable depth.
- 1/4" drive for use in any machine & any tip.



PART # **PRICE**
DC-075-01 **\$9.84**

1/4" x 3" Adjustable Depth Bit Holder. Tips not included.

CEILING TILE HANGER DRIVER / LAG DRIVER

PART NUMBER	SIZE	DESCRIPTION	PRICE EACH
CE-075-14SL	7/16" X 2-3/16"	LAG DRIVER WITH SLEEVE	\$3.19

