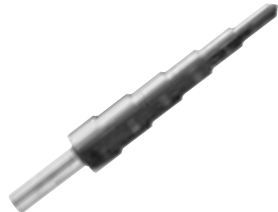





1/8"
5/32"
3/16"
7/32"
1/4"
9/32"
5/16"
11/32"
3/8"
13/32"
7/16"
15/32"
1/2"

274MC0001
13 Steps 1/8" - 1/2"
List \$44.00



3/16"
1/4"
5/16"
3/8"
7/16"
1/2"

274MC0002
6 Steps 3/16" - 1/2"
List \$42.85



1/4"
5/16"
3/8"
7/16"
1/2"
9/16"
5/8"
11/16"
3/4"

274MC0003
9 Steps 1/4" - 3/4"
List \$53.27



3/16"
1/4"
5/16"
3/8"
7/16"
1/2"
9/16"
5/8"
11/16"
3/4"
13/16"
7/8"

274MC0004
12 Steps 3/16" - 7/8"
List \$59.58



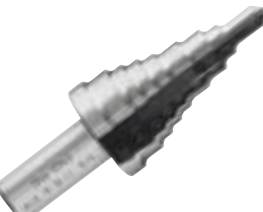
7/16"
1/2"
9/16"
5/8"
11/16"
3/4"
13/16"
7/8"
15/16"
1"
1-1/16"
1-1/8"

274MC0005
12 Steps 7/16" - 1-1/8"
List \$84.83



3/4"
13/16"
7/8"
15/16"
1"
1-1/16"
1-1/8"
1-3/16"
1-1/4"
1-5/16"
1-3/8"

274MC0006
11 Steps 3/4" - 1-3/8"
List \$113.09



3/8"
7/16"
3/4"

For drilling 3 standard size holes to accommodate drive screws for knockout punches.

274MC0007
3 Steps 3/8" - 3/4"
List \$69.42



7/8"
1-1/8"

7/8" hole for 1/2" conduit.
1-1/8" hole for 3/4" conduit.

274MC0008
2 Steps 7/8" - 1-1/8"
List \$82.81



7/8"
1-1/8"
1-7/32"
1-1/4"
1-3/8"

1-7/32" hole for oil tight switches.

274MC0009
5 Steps 7/8" - 1-3/8"
List \$99.50



7/8"

274MC0010
1 Cone 7/8"
List \$59.58



ENHANCED FAST SPIRAL


1/4"
3/8"
1/2"
5/8"
3/4"
7/8"
1"
1-1/8"
1-1/4"
1-3/8"

3/16" Drilling Depth

274MC0012
10 Steps 1/4" - 1-3/8"
List \$122.78

THE BIG 10
One Size Fits All

- ◆ M2 HSS
- ◆ Lobbed Non-Slip Shank
- ◆ Drill 1/8" Thick
- ◆ Double Flute
- ◆ Bright Finish




1/2" DRILL

- Ferrous & Non-Ferrous Sheet Metals
- Plastic Laminates
- Sink Grade Stainless Steel
- Auto Body Repair
- Electrical
- HVAC

STEP DRILLS ARE SOLD INDIVIDUALLY.

More accurate control of hole size in various sheet materials up to 1/8" thick. Each step bit drills a range of sizes. The further the bit advances, the larger the diameter of the hole gets. Because step drill bits enter the material one step at a time, the operator can drill the desired hole by counting the individual steps, or by using a washer as a simple stop. The self starting tip eliminates the need for pilot holes. Applications include junction boxes, switch boxes, metal studs, electrical applications, lighting fixtures, auto body work, and many other uses.



274HEX01
13 Steps 1/8" - 1/2"
 List \$45.32

1/8"
 5/32"
 3/16"
 7/32"
 1/4"
 9/32"
 5/16"
 11/32"
 3/8"
 13/32"
 7/16"
 15/32"
 1/2"



274HEX02
6 Steps 3/16" - 1/2"
 List \$44.13

3/16"
 1/4"
 5/16"
 3/8"
 7/16"
 1/2"



274HEX03
9 Steps 1/4" - 3/4"
 List \$54.87

1/4"
 5/16"
 3/8"
 7/16"
 1/2"
 9/16"
 5/8"
 11/16"
 3/4"



274HEX04
12 Steps 3/16" - 7/8"
 List \$70.57

3/16"
 1/4"
 5/16"
 3/8"
 7/16"
 1/2"
 9/16"
 5/8"
 11/16"
 3/4"
 13/16"
 7/8"



274HEX05
12 Steps 7/16" - 1-1/8"
 List \$100.48

7/16"
 1/2"
 9/16"
 5/8"
 11/16"
 3/4"
 13/16"
 7/8"
 15/16"
 1"
 1-1/16"
 1-1/8"



274HEX08
2 Steps 7/8" - 1-1/8"
 List \$98.09

7/8"
 1-1/8"
 7/8" hole for 1/2" conduit.
 1-1/8" hole for 3/4" conduit.



IMPACT
 1/4" HEX IMPACT SHANK



M2 HSS FAST SPIRAL STEP DRILL

- ◆ M2 HSS
- ◆ Fast Spiral Flutes
- ◆ Jam Free Performance
- ◆ Self Starting Split Point
- ◆ Bright Finish
- Ferrous & Non-Ferrous Sheet Metals
- Plastic Laminates
- Sink Grade Stainless Steel
- Auto Body Repair
- Electrical
- HVAC

