



M2 HSS FAST SPIRAL



274MC0001
13 Steps 1/8" - 1/2"
 List \$48.40

1/8"
 5/32"
 3/16"
 7/32"
 1/4"
 9/32"
 5/16"
 11/32"
 3/8"
 13/32"
 7/16"
 15/32"
 1/2"



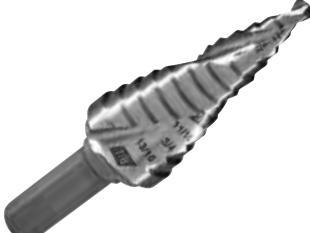
274MC0002
6 Steps 3/16" - 1/2"
 List \$47.13

3/16"
 1/4"
 5/16"
 3/8"
 7/16"
 1/2"



274MC0003
10 Steps 3/16" - 3/4"
 List \$58.60

3/16"
 1/4"
 5/16"
 3/8"
 7/16"
 1/2"
 9/16"
 5/8"
 11/16"
 3/4"



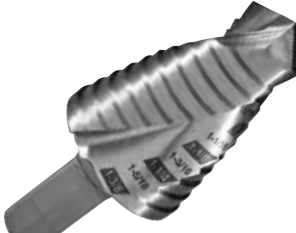
274MC0004
12 Steps 3/16" - 7/8"
 List \$72.09

3/16"
 1/4"
 5/16"
 3/8"
 7/16"
 1/2"
 9/16"
 5/8"
 11/16"
 3/4"
 13/16"
 7/8"



274MC0005
12 Steps 7/16" - 1-1/8"
 List \$109.74

7/16"
 1/2"
 9/16"
 5/8"
 11/16"
 3/4"
 13/16"
 7/8"
 15/16"
 1"
 1-1/16"
 1-1/8"



274MC0006
11 Steps 3/4" - 1-3/8"
 List \$130.16

3/4"
 13/16"
 7/8"
 15/16"
 1"
 1-1/16"
 1-1/8"
 1-3/16"
 1-1/4"
 1-5/16"
 1-3/8"



274MC0007
3 Steps 3/8" - 3/4"
 List \$76.36

3/8"
 7/16"
 3/4"

For drilling 3 standard size holes to accommodate drive screws for knockout punches.




3/16" STARTER POINT

274MC0008
2 Steps 7/8" - 1-1/8"
 List \$108.21

7/8"
 1-1/8"

7/8" hole for 1/2" conduit.
 1-1/8" hole for 3/4" conduit.



3/16" STARTER POINT

274MC0009
5 Steps 7/8" - 1-3/8"
 List \$121.99

7/8"
 1-1/8"
 1-7/32"
 1-1/4"
 1-3/8"

1-7/32" hole for oil tight switches.



274MC0010
1 Cone 7/8"
 List \$65.53

7/8"

ENHANCED FAST SPIRAL

NEW!

3/8" HEX Shank




274MC0011
11 Steps 3/16" - 1-3/8"
 List \$135.06

ENHANCED THE BIG 11
 One Size Fits All

3/16"
 1/4"
 3/8"
 1/2"
 5/8"
 3/4"
 7/8"
 1"
 1-1/8"
 1-1/4"
 1-3/8"

- ◆ M2 HSS
- ◆ 3/8" & 1/2" HEX Non-Slip Shank
- ◆ Drill 1/8" Thick
- ◆ 2-Fast Spiral Flutes
- ◆ Bright Finish

Steel	Aluminum	Copper
Sheet Metal	Mild Stainless	Plastics



1/2" DRILL

STEP DRILLS ARE SOLD INDIVIDUALLY.

M2 HSS FAST SPIRAL



274HEX01
13 Steps 1/8" - 1/2"
 List \$48.04

1/8"
5/32"
3/16"
7/32"
1/4"
9/32"
5/16"
11/32"
3/8"
13/32"
7/16"
15/32"
1/2"



274HEX02
6 Steps 3/16" - 1/2"
 List \$46.78

3/16"
1/4"
5/16"
3/8"
7/16"
1/2"



274HEX03
10 Steps 3/16" - 3/4"
 List \$58.16

3/16"
1/4"
5/16"
3/8"
7/16"
1/2"
9/16"
5/8"
11/16"
3/4"



274HEX04
12 Steps 3/16" - 7/8"
 List \$74.80

3/16"
1/4"
5/16"
3/8"
7/16"
1/2"
9/16"
5/8"
11/16"
3/4"
13/16"
7/8"



274HEX05
12 Steps 7/16" - 1-1/8"
 List \$117.16

7/16"
1/2"
9/16"
5/8"
11/16"
1/2"
3/4"
13/16"
7/8"
15/16"
1"
1-1/16"
1-1/8"



3/16" STARTER POINT
274HEX08
2 Steps 7/8" - 1-1/8"
 List \$114.37

7/8"
1-1/8"

7/8" hole for 1/2" conduit.
 1-1/8" hole for 3/4" conduit.



- ◆ 1/4" Hex Impact Shank
- ◆ M2 HSS
- ◆ 2-Fast Spiral Flutes
- ◆ Jam Free Performance
- ◆ Self Starting Split Point
- ◆ Bright Finish
- ◆ Sold Individually



IMPACT
 1/4" HEX IMPACT SHANK

REDLINE

TiAlN COATED

M2 HSS



FXT-01
13 Steps 1/8" - 1/2"
 List \$50.44

1/8"
5/32"
3/16"
7/32"
1/4"
9/32"
5/16"
11/32"
3/8"
13/32"
7/16"
15/32"
1/2"



FXT-02
6 Steps 3/16" - 1/2"
 List \$49.12

3/16"
1/4"
5/16"
3/8"
7/16"
1/2"



FXT-03
10 Steps 3/16" - 3/4"
 List \$61.07

3/16"
1/4"
5/16"
3/8"
7/16"
1/2"
9/16"
5/8"
11/16"
3/4"




FXT-04
12 Steps 3/16" - 7/8"
 List \$78.54

3/16"
1/4"
5/16"
3/8"
7/16"
1/2"
9/16"
5/8"
11/16"
3/4"
13/16"
7/8"



FXT-05
12 Steps 7/16" - 1-1/8"
 List \$111.84

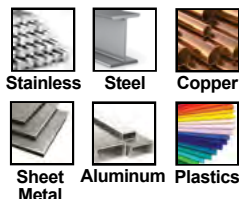
7/16"
1/2"
9/16"
5/8"
11/16"
1/2"
3/4"
13/16"
7/8"
15/16"
1"
1-1/16"
1-1/8"



FXT-08
2 Steps 7/8" - 1-1/8"
 List \$109.18

7/8"
1-1/8"

7/8" hole for 1/2" conduit.
 1-1/8" hole for 3/4" conduit.



- ◆ 1/4" Hex Impact Shank
- ◆ M2 HSS
- ◆ 2-Fast Spiral Flutes
- ◆ Jam Free Performance
- ◆ Self Starting Split Point
- ◆ Titanium Aluminum Nitride Coating
- ◆ Sold Individually



XFLUTE M35 CO-TiAlN COATING FAST SPIRAL STEP DRILL

TiAlN COATED



XSTP-01
13 Steps 1/8" - 1/2"
 List \$55.49

1/8"
5/32"
3/16"
7/32"
1/4"
9/32"
5/16"
11/32"
3/8"
13/32"
7/16"
15/32"
1/2"



XSTP-03
10 Steps 3/16" - 3/4"
 List \$67.18

3/16"
1/4"
5/16"
3/8"
7/16"
1/2"
9/16"
5/8"
11/16"
3/4"



XSTP-04
12 Steps 3/16" - 7/8"
 List \$86.39

3/16"
1/4"
5/16"
3/8"
7/16"
1/2"
9/16"
5/8"
11/16"
3/4"
13/16"
7/8"

- ◆ 1/4" Hex Impact Shank
- ◆ Cobalt
- ◆ 4-Fast Spiral Flutes
- ◆ Great for Stainless
- ◆ Self Starting Split Point
- ◆ Titanium Aluminum Nitride Coating
- ◆ Sold Individually

